

NOTES:

1. CRANE MODEL NUMBER IS FB20-40.
2. CALCULATED CRANE WEIGHT INCLUDING WINCH, WIRE ROPE, OVERHAUL BALL, AND 2 MANUAL EXTENSIONS IS 8,100 LBS.
3. CAPACITIES SHOWN BELOW ARE ABS STRUCTURAL CAPACITIES AT THE BOOM LIFTING POINTS. THE WEIGHT OF THE LOAD BLOCK AND RIGGING ARE CONSIDERED PART OF THE LIVE LOAD.
4. THE WINCH IS RATED FOR 4,000 LBS LINE PULL.

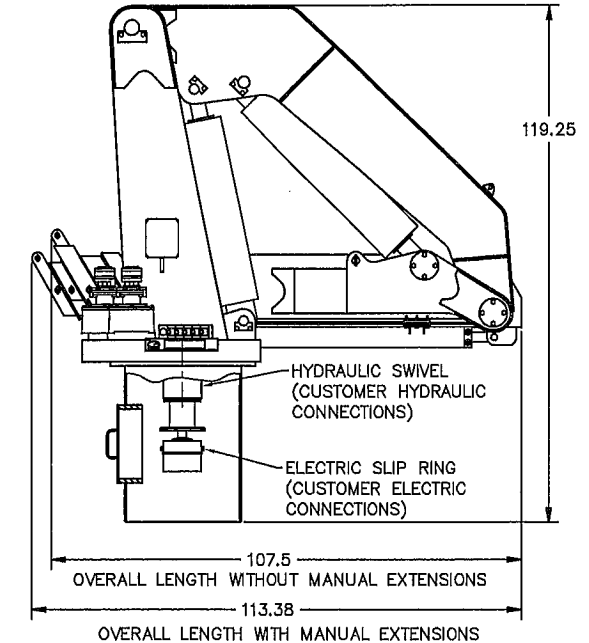
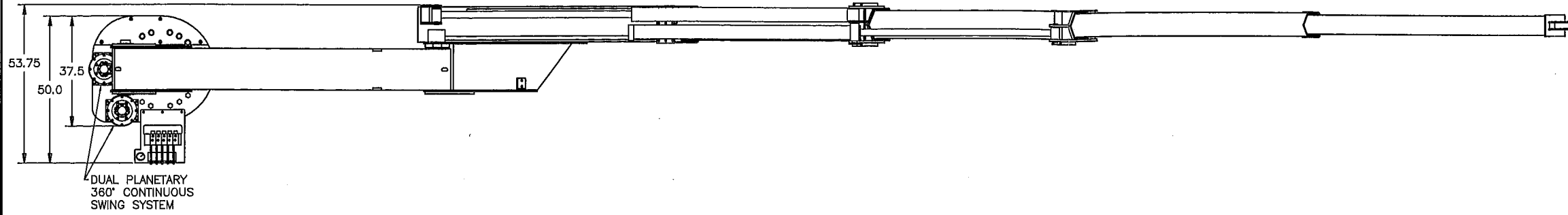
NOTES (CONT.):

4. CRANE FOUNDATIONS REACTIONS ARE:
 AXIAL THRUST 30,600 LBS
 OVERTURNING MOMENT 182,000 FT-LBS
 SLEWING TORQUE 25,300 FT-LBS
5. CRANE CAN HANDLE RATED LOADS UP TO 8.0' LIST AND IS CAPABLE OF 360° CONTINUOUS ROTATION.
6. ELECTRICAL REQUIREMENTS: 12 VDC @ 6 AMPS

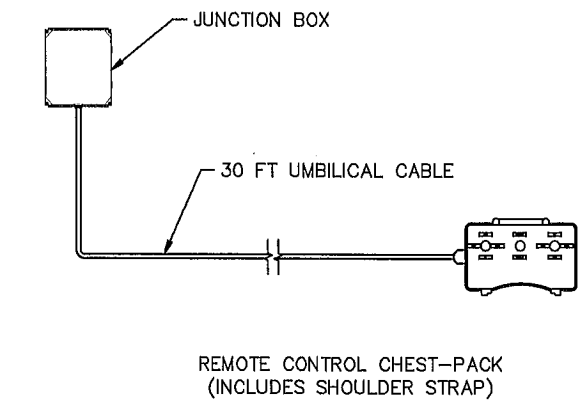
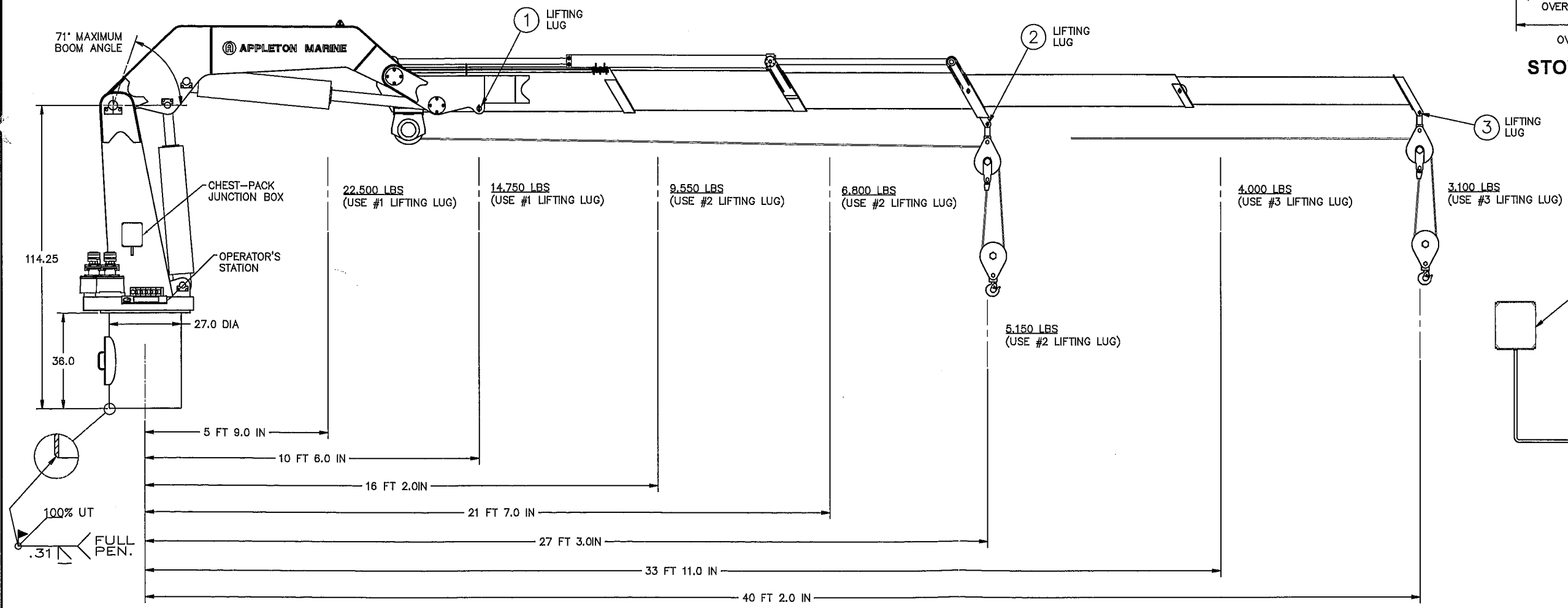
NOTES (CONT.):

7. CRANE PERFORMANCE WITH A 25 GPM @ 2900 PSI POWER SUPPLY:
 HOISTING: 6000 LBS CAPACITY
 AVERAGE HOOK SPEED = 75 FT/MIN
 SLEWING: 0 TO 1 RPM
 JIB AND LUFF: FULL RET. TO FULL STROKE IN 40 SECONDS
8. ALL CUSTOMER HYDRAULIC CONNECTIONS ARE MADE AT THE HYDRAULIC SWIVEL LOCATED INSIDE THE PEDESTAL. HYDRAULIC REQUIREMENTS: 25 GPM @ 2900 PSI

REVISIONS					BY	CRD.	APPR.	DATE
NO.	REV.	ZONE	DESCRIPTION	RJL	SRT	KEG	OSMAY04	
1	1		ADDED PEDESTAL DETAILS	RJL				
2	1		ADDED NOTES 7 & 8 "AS BUILT"	RJL				



STOWED CONFIGURATION



REFERENCE 13794

TOLERANCES UNLESS OTHERWISE SPECIFIED		DRAWN		RJT		31MAR04		APPLETON MARINE, INC.	
X	± .030	WELDED	WELDED	WELDED	WELDED	WELDED	WELDED	CRANE OUTLINE	
SK	± .015	CHAMFERS	CHAMFERS	CHAMFERS	CHAMFERS	CHAMFERS	CHAMFERS	MODEL FB20-40	
300X	± .005	ANGLES	ANGLES	ANGLES	ANGLES	ANGLES	ANGLES	SIZE D	
BREAK ALL SHARP EDGES		APPROVED	APPROVED	APPROVED	APPROVED	APPROVED	APPROVED	CODE IDENT. NO. 70433	
MATERIAL		OUTLINE		DRAWING NO. BMD-535		REV. 2		SCALE 3:64	
				EST. WEIGHT 8,350 LBS		SHEET 1 OF 1			

8 | 7 | 6 | 5 | 4 | 4 | 3 | 2 | 1